

THERMAL MANAGEMENT

VENTILATION

IP54 Ceiling fan (1020-1140 m³/h)

Reference:
VT1020

Technical data:

Voltage:	230 V 50-60 Hz
Air flow with filter:	1020-1140 m ³ /h
Protection rating:	IP54
Operating temperature:	-20 °C / +80 °C
Service (at 40 °C):	50.000 h
Relative humidity range:	0-95%
Filtration efficiency:	-



Noise level:	62-64 dB
Static pressure:	430-585 Pa
Direction of flow:	From interior to exterior
Reversible:	No
Electrical connection:	Cable
Current consumption:	0,60-0,74 A
Energy consumption:	131-170 W
Protection rating:	Thermal

Specifications:

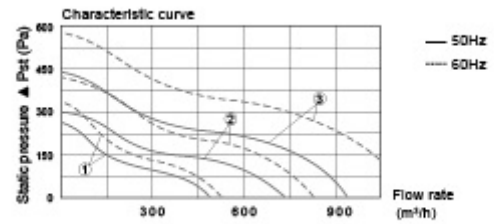
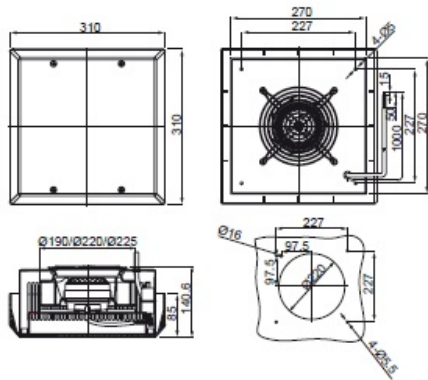
Dimensions:	310x310x140 mm
Thickness of the cabinet wall:	-
Cut-off dimensions:	Ø220 mm
Colour:	RAL 7035
Material:	ABS /Steel
Filter material:	-
Bearing:	Ball bearing
Seal:	Autoadhesive polyurethane
Weight:	5,70 kg
Assembly:	Bolts

THERMAL MANAGEMENT

VENTILATION

IP54 Ceiling fan (1020-1140 m³/h)

Reference:
VT1020



Codes:

EAN: 8431044250380
 Customs tariff number: 85.38.10.00
 ETIM 8.0: EC000320

Product end of life:

Product affected by the WEEE Regulation.

Supply:

Supplied in individual cardboard packaging.

Certificates and standards:

Certificates: CE, ROHS

